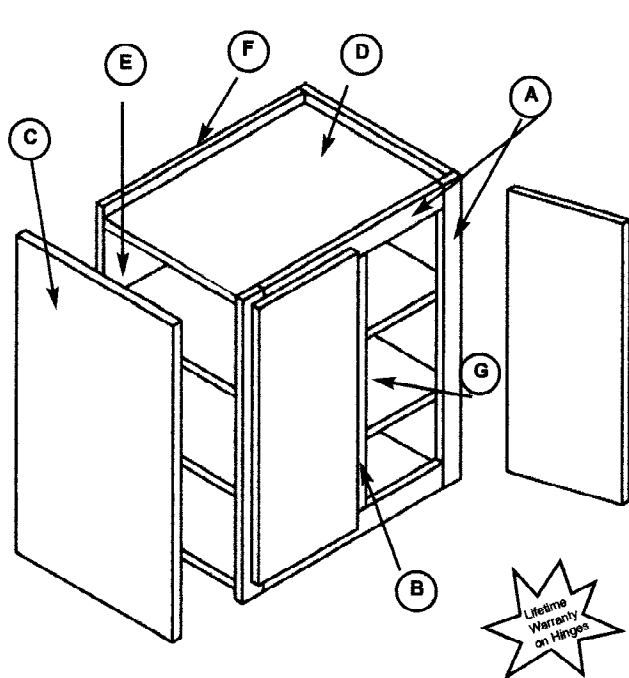


FRAMED CONSTRUCTION FEATURES FOR WALL CABINETS



(A) Stiles & Rails: Oak and Aurora lines have solid, $\frac{3}{4}$ " thick and $1\frac{1}{2}$ " wide; kiln dried oak stiles and rails. The maple and Fairmont lines have solid, $\frac{3}{4}$ " thick and $1\frac{1}{2}$ " wide; kiln dried maple stiles and rails. Woodland lines have $\frac{3}{4}$ " thick and $1\frac{1}{2}$ " wide; kiln dried cherry stiles and rails. All are mortise & tenon construction, glued and secured with steel fasteners. The tenon on each end of the rail is $\frac{3}{8}$ ".

(B) Divider Stiles: The standard dividing stile is $\frac{3}{4}$ " thick and 3" wide; solid kiln dried oak on the oak lines, maple on the maple and white lines and cherry on the Woodland lines. The blind corner wall cabinets have $\frac{3}{4}$ " thick, $5\frac{1}{4}$ " wide stiles, solid oak on the oak lines, solid maple on the maple and white lines and solid cherry on the Woodland lines. Both dividers have a $1\frac{1}{8}$ " tenon on each end fitting into a mortise in the top and bottom rail, glued and secured with steel fasteners.

(C) End Panels: The ends are $\frac{1}{2}$ " thick industrial grade laminated particleboard, PVC edge-banded on 2 sides. The exterior laminate matches the front frame. The interior on the Fairmont line is a white laminate and the interior on the wood lines is a natural light maple laminate. The ends are glued and secured with steel fasteners to the front frame.

(D) Top & Bottom Panels: Top and bottom panels are $\frac{1}{2}$ " thick particleboard, laminated on both sides in a natural maple on wood lines and a white laminate on the Fairmont line. The panels are glued, grooved and secured with steel fasteners into end panels and front frames.

(E) Back Panels: The back panel is $\frac{7}{32}$ " thick industrial grade particleboard, laminated on the interior and raw on the back side. Fairmont has a white laminated interior and the wood lines have a light natural maple laminated interior. They are grooved into the end panels, secured with steel fasteners and glued.

(F) Hanging Rails: The exterior hanging rails are laminated MDF, 3" in height and $\frac{3}{4}$ " thick. The rails are glued, lip tenon and secured with steel fasteners into the end panels remaining flush on the backside of the cabinet. (Not shown)

(G) Shelves: The shelves are adjustable, $\frac{5}{8}$ " thick particleboard, laminated on both sides and PVC edge-banded on the front edge of the shelf to match the interior. They are installed in the cabinet with locking shelf clips. Up to 24" wide cabinets have 4 shelf clips per shelf, 27" & 30" wide cabinets have 5 clips per shelf, 2 on each side and one on the front center stile; and 33" and wider have 6 clips per shelf, two on each side, one on front center stile and one centered on the back.

Doors: The doors all have a $\frac{1}{2}$ " overlay on all sides, leaving 1" of face frame exposed on the stiles and rails, and 2" on the divider stile.

Hinges: On the Aurora lines, the hinges are semi-concealed, adjustable, steel, and self-closing. On all other lines, the hinges are fully concealed and open to 106 degrees to permit easy access. Hinges are self-closing and adjustable to allow six different door alignments. There is a manufacturer's lifetime warranty on all hinges.

Pulls: Door pulls are optional. A selection is available and sold separately.



Specifications are subject to change without notice.

Material tolerance $\pm 1/32$ "